

Candidate Name/*Kandidaat se Naam*

Name of Teacher/ *Naam van Onderwyser*

SEPTEMBER 2018

MATHEMATICS P2/*WISKUNDE V2*

ANSWER BOOK/*ANTWOORDEBOEK*

BOOK NUMBER
BOEKNOMMER

OF
VAN

BOOKS
BOEKE

DATE
DATUM

MARKER/ <i>NASIENER</i>			MODERATOR/ <i>MODERATOR</i>		
Question <i>Vraag</i>	Marks <i>Punte</i>	Marker's Initials <i>Nasienerparaaf</i>	Marks <i>Punte</i>	Moderator's Initials <i>Moderatorparaaf</i>	
1					
2					
3					
4					
5					
6					
7					
8					
9					
10					

150

TOTAL
TOTAAL

This answer book consists of 20 pages.
Hierdie antwoordeboek bestaan uit 20 bladsye.

**FOLLOW THESE
INSTRUCTIONS CAREFULLY**

**VOLG HIERDIE INSTRUKSIES
NOUKEURIG**

- | | |
|--|---|
| 1. Write your name in the spaces provided. | 1. Skryf jou naam in die ruimtes wat voorsien is. |
| 3. Answer ALL the questions in the spaces provided. | 2. Beantwoord AL die vrae in die ruimtes wat voorsien is. |
| 3. Do not remove any pages from this ANSWER BOOK. | 3. Moenie enige bladsye uit hierdie ANTWOORDEBOEK verwyder nie. |
| 4. Read the instructions given in the question paper carefully. | 4. Lees die instruksies wat in die vraestel gegee word, sorgvuldig deur. |
| 5. You may not retain the ANSWER BOOK or remove it from the examination room. The ANSWER BOOK must be returned to the invigilator at the end of the examination session. | 5. Jy mag nie die ANTWOORDEBOEK hou of uit die eksamenlokaal verwyder nie. Die ANTWOORDEBOEK moet aan die toesighouer terugbesorg word aan die einde van die eksamensessie. |
| 6. You may use blue/black ink to write the answers. | 6. Jy mag blou/swart ink gebruik om die antwoorde te skryf. |
| 7. Do not write in the margins. | 7. Moenie in die kantlyn skryf nie. |
| 8. Draw a neat line through any work/rough work that must not be marked. | 8. Trek 'n netjiese lyn deur enige werk/rofwerk wat nie nagesien moet word nie. |
| 9. If you use the additional space provided: | 9. Indien jy die addisionele ruimte wat voorsien word, gebruik: |
| 9.1 Write down the question number. | 9.1 Skryf die vraagnommer neer. |
| 9.2 Leave a line and rule off after the answer. | 9.2 Laat 'n reël oop en trek 'n lyn na jou antwoord. |

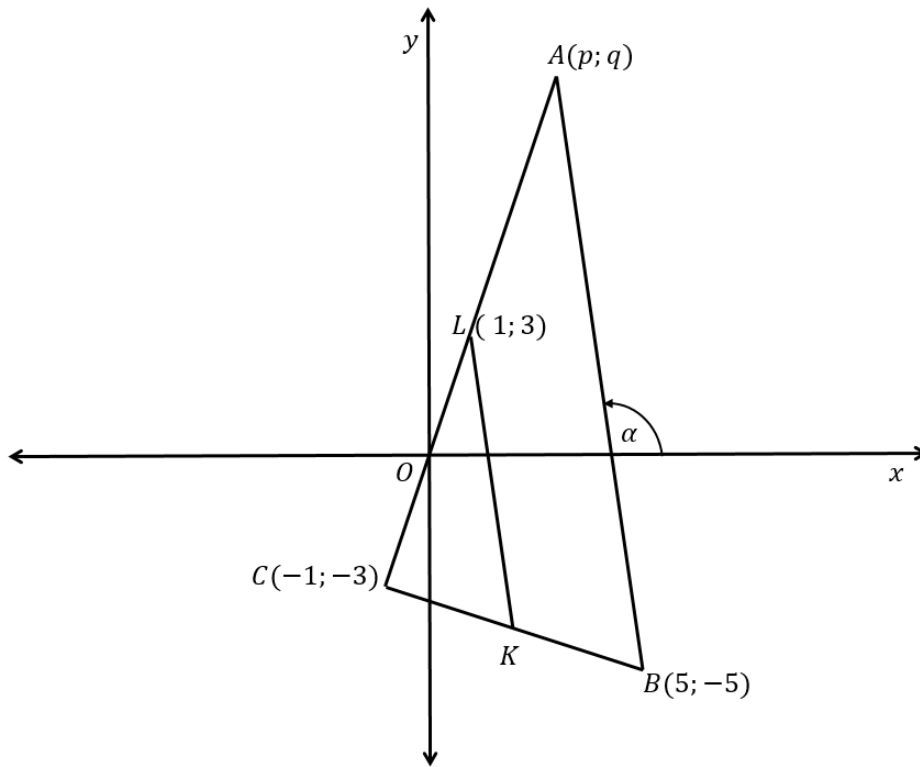
QUESTION 1 / VRAAG 1

	Solution/Oplissing	Marks Punte																					
1.1	<table border="1"> <thead> <tr> <th>Mark Punt</th> <th>Frequency Frekwensie</th> <th>Cumulative frequency Kumulatiewe frekwensie</th> </tr> </thead> <tbody> <tr> <td>$0 < x \leq 10$</td> <td>2</td> <td></td> </tr> <tr> <td>$10 < x \leq 20$</td> <td>9</td> <td></td> </tr> <tr> <td>$20 < x \leq 30$</td> <td>21</td> <td></td> </tr> <tr> <td>$30 < x \leq 40$</td> <td>32</td> <td></td> </tr> <tr> <td>$40 < x \leq 50$</td> <td>19</td> <td></td> </tr> <tr> <td>$50 < x \leq 60$</td> <td>7</td> <td></td> </tr> </tbody> </table>	Mark Punt	Frequency Frekwensie	Cumulative frequency Kumulatiewe frekwensie	$0 < x \leq 10$	2		$10 < x \leq 20$	9		$20 < x \leq 30$	21		$30 < x \leq 40$	32		$40 < x \leq 50$	19		$50 < x \leq 60$	7		(2)
Mark Punt	Frequency Frekwensie	Cumulative frequency Kumulatiewe frekwensie																					
$0 < x \leq 10$	2																						
$10 < x \leq 20$	9																						
$20 < x \leq 30$	21																						
$30 < x \leq 40$	32																						
$40 < x \leq 50$	19																						
$50 < x \leq 60$	7																						
1.2	<p style="text-align: center;">OGIVE / OGIEF</p>	(3)																					
1.3	<hr/> <hr/> <hr/>	(2)																					
		[7]																					

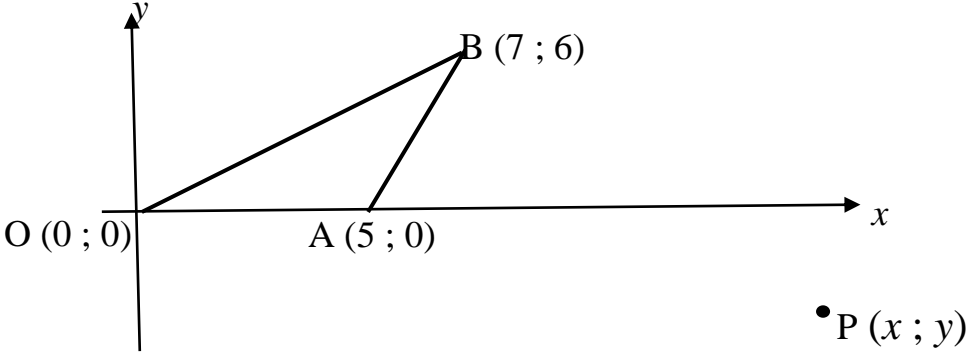
QUESTION 2 / VRAAG 2

		Solution/Oplossing							Marks Punte
2.1	Time in minutes/tyd in minute (t)	0,5	1,0	1,5	2,0	3,0	4,0	5,0	
	Dalvon's pulse rate/Dalvon se polsslag (P)	125	113	104	95	82	85	72	
2.1.1									(3)
2.1.2									(2)
2.1.3									(2)
2.2	Number of birds by type/ Aantal voëls per soort			All birds cleaned/ Totale aantal voëls skoon gemaak					
		Sea gull/ Seemeeu	Penguin/ Pikkewyn	Cape Cormorant/ Trekduiker	Mean mass in kilograms/ Gemiddelde massa in kilogram	Standard deviation			
	Andrew	2	3	6	1,06	0,42			
	Bongi	6	2	8	0,77	0,27			
	Chad	1	0	1	1,50	0			
2.2.1									(2)
2.2.2									(3)
[12]									

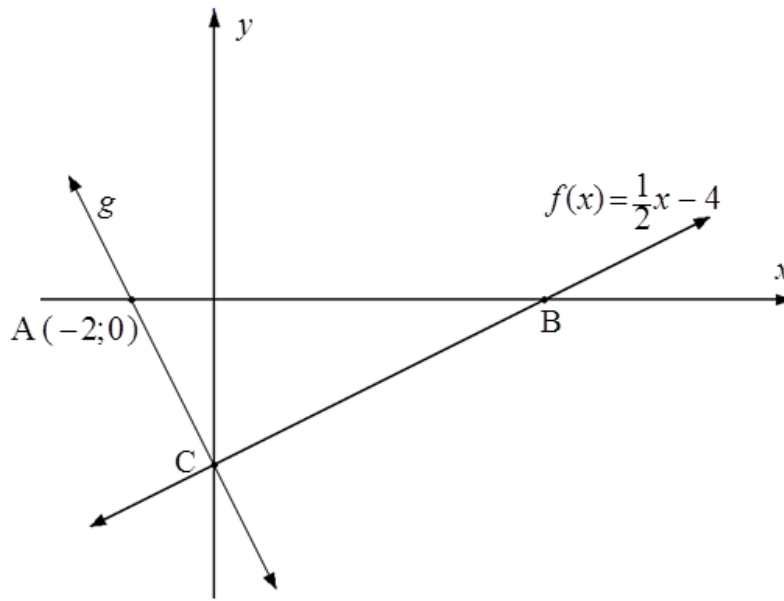
QUESTION 3 / VRAAG 3



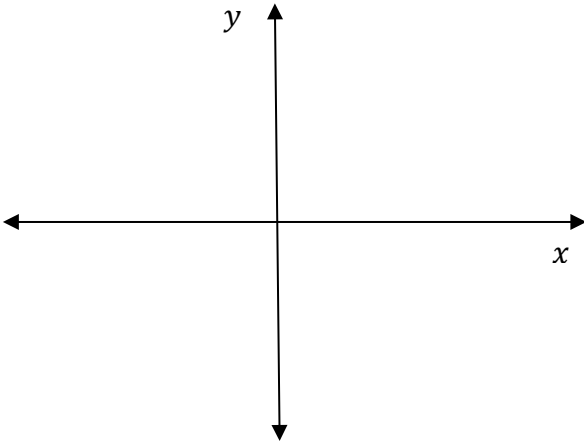
	Solution/Oplossing	Marks Punte
3.1.1		(2)
3.1.2		(2)
3.1.3		(2)

	Solution/Oplossing	Marks Punte
3.1.4		(4)
3.1.5		(2)
3.1.6		(2)
3.2		(7)
		[21]

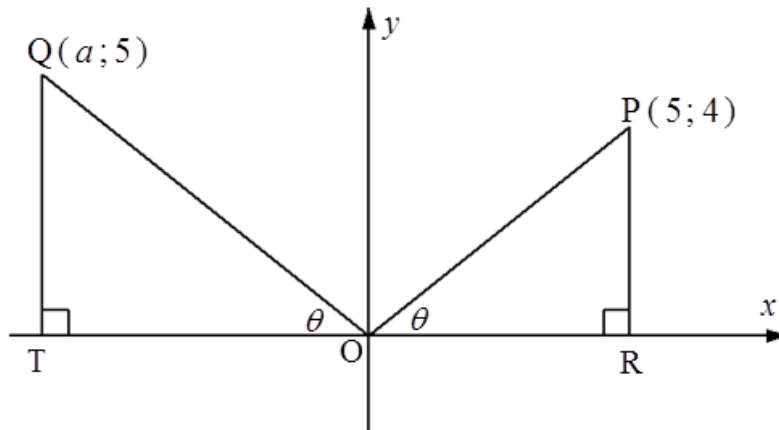
QUESTION 4 / VRAAG 4



	Solution/Oplissing	Marks Punte
4.1.1		(2)
4.1.2		(4)

	Solution/ <i>Oplossing</i>	Marks <i>Punte</i>
4.1.3	<div style="border: 1px solid black; height: 185px; width: 100%;"></div>	(3)
4.2	<div style="border: 1px solid black; height: 225px; width: 100%;"></div>	(5)
4.3.1		(2)
4.3.2	<div style="border: 1px solid black; height: 135px; width: 100%;"></div>	(2)
		[18]

QUESTION 5 / VRAAG 5

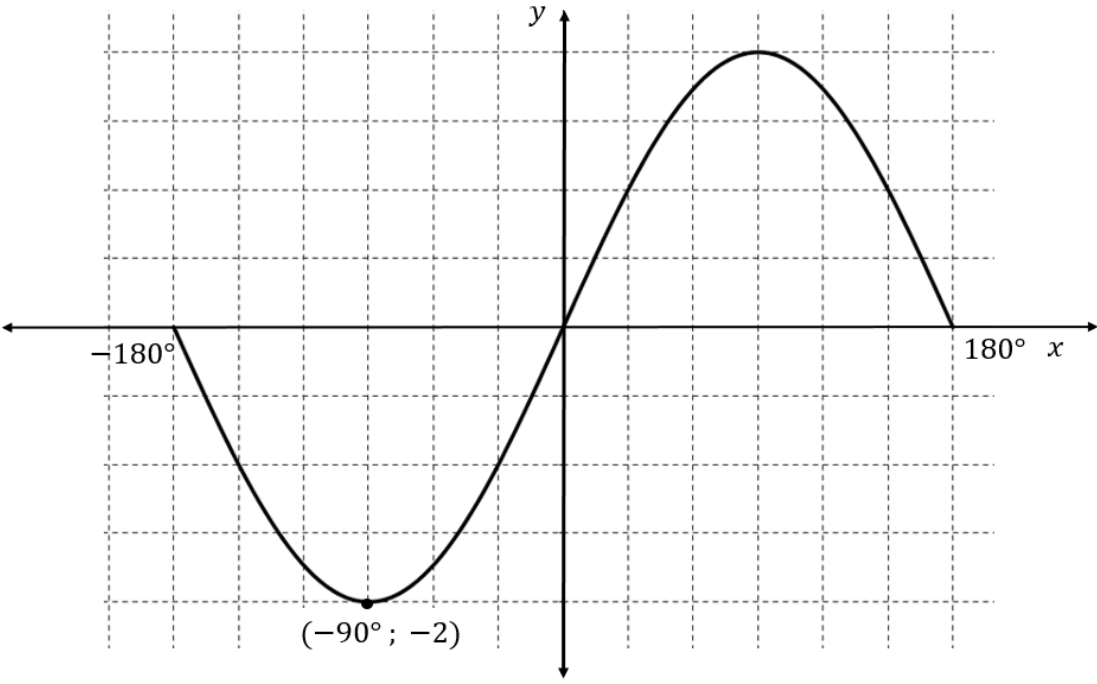


	Solution/Oplissing	Marks Punte
5.1.1		(3)
5.1.2		(2)
5.2.1		(5)

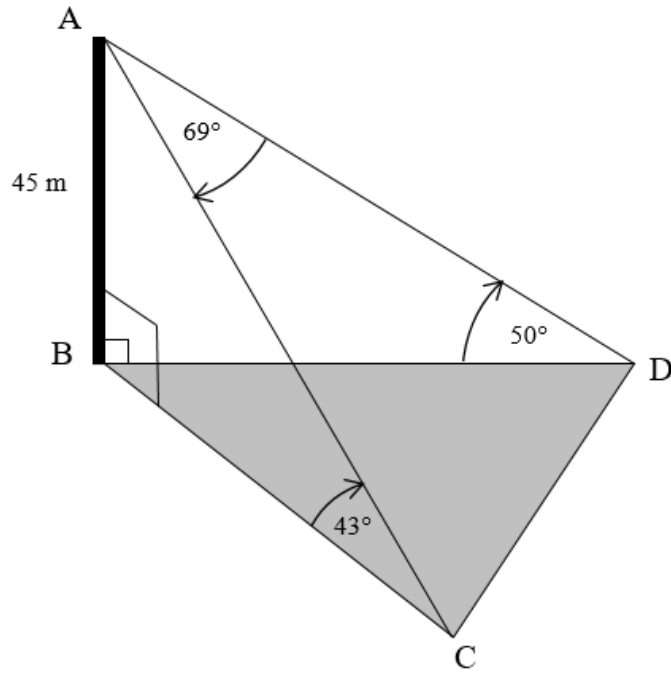
	<i>Solution/Oplissing</i>	Marks <i>Punte</i>
5.2.2		(3)
5.3		(4)
5.4.1		(3)

	Solution/ <i>Oplossing</i>	Marks <i>Punte</i>
5.4.2		
	[23]	

QUESTION 6 / VRAAG 6

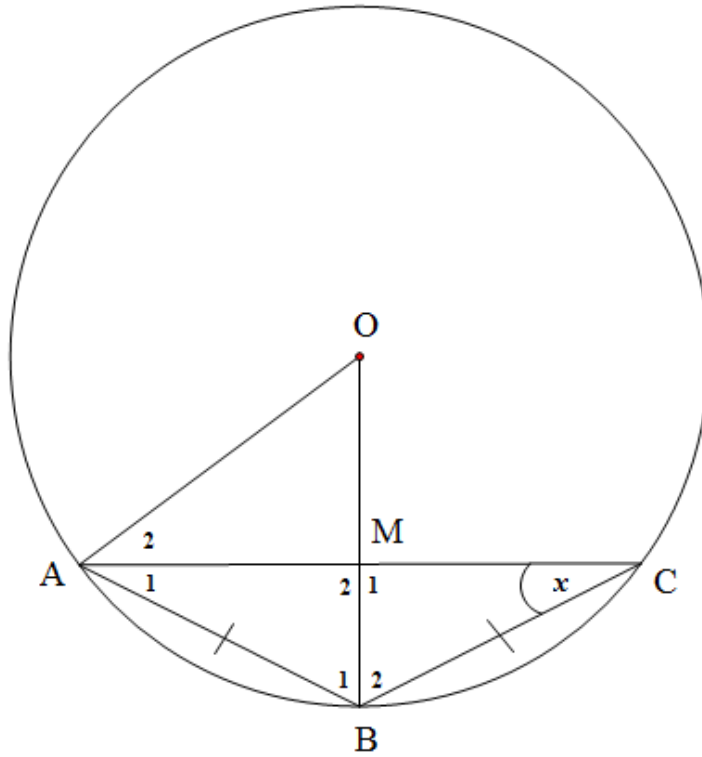
	Solution/Oplissing	Marks Punte
6.1		(1)
6.2		(3)
6.3	<hr/> <hr/> <hr/> <hr/> <hr/> <hr/> <hr/> <hr/> <hr/> <hr/> <hr/> <hr/> <hr/> <hr/> <hr/> <hr/> <hr/> <hr/> <hr/> <hr/> <hr/> <hr/> <hr/> <hr/> <hr/> <hr/>	(5)
6.4	<hr/> <hr/>	(1)
6.5	<hr/> <hr/> <hr/>	(2)
		[12]

QUESTION 7 / VRAAG 7



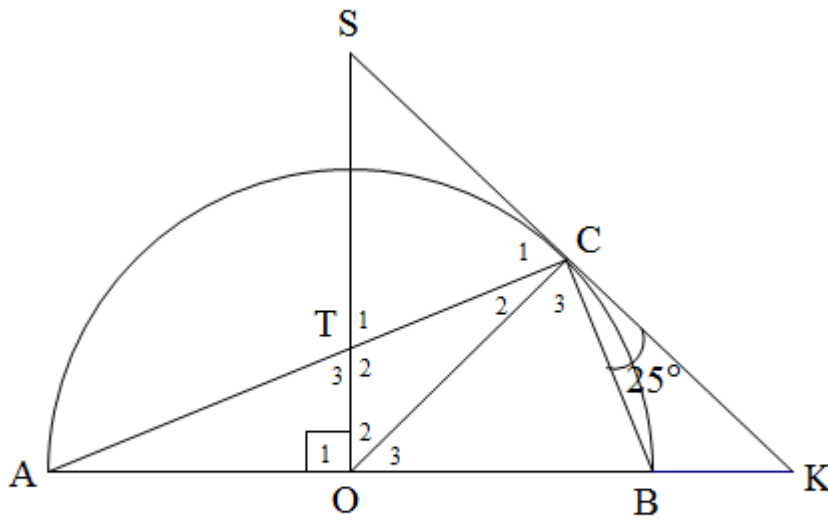
7.1		
		(4)
7.2		
		(3)
	[7]	

QUESTION 8 / VRAAG 8



	Solution/Oplissing	Marks Punte
8.1.1		(1)
8.1.2		(2)
8.2		(3)
8.3		(2)
		[8]

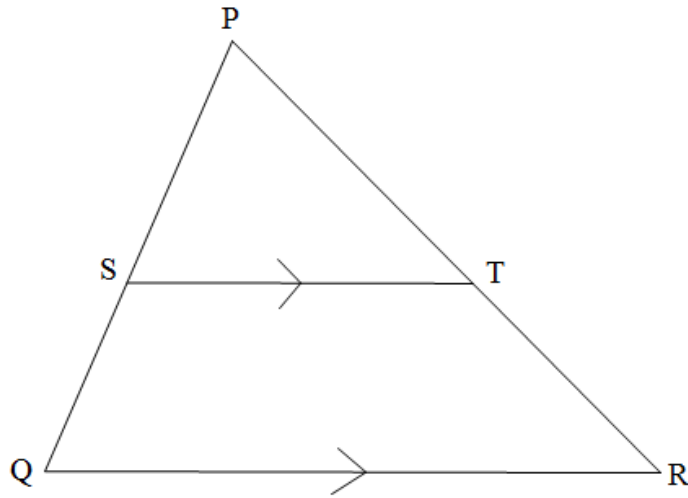
QUESTION 9 / VRAAG 9



	Solution/Oplissing	Marks Punte
9.1.1		(1)
9.1.2		(1)
9.2		(3)
9.3		(2)
9.4		(4)
		[11]

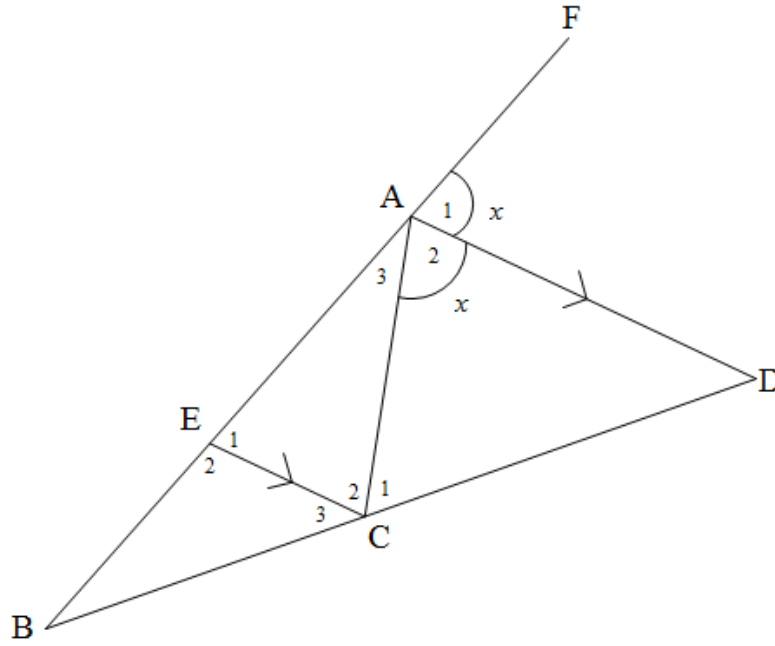
QUESTION 10 / VRAAG 10

10.1



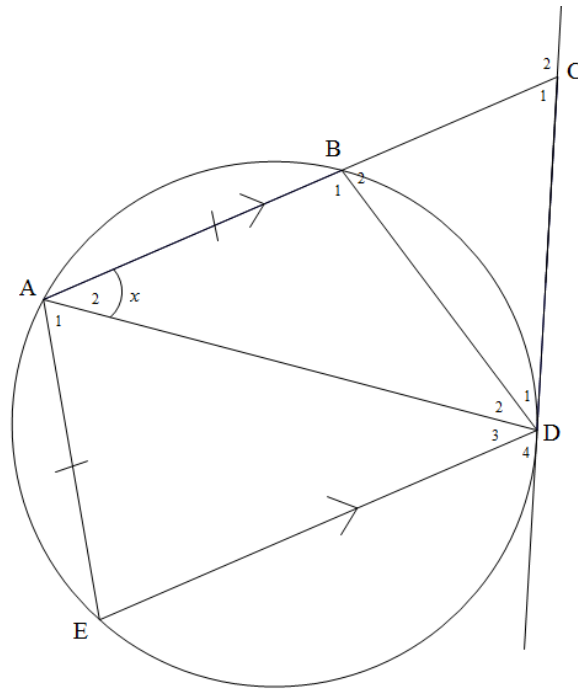
	Solution/ <i>Oplossing</i>	Marks <i>Punte</i>
10.1		

10.2



	Solution/Oplissing	Marks Punte
10.2.1		(3)
10.2.2		(4)
		[13]

QUESTION 11 / VRAAG 11



	Solution/ <i>Oplossing</i>	Marks <i>Punte</i>
11.1		(6)
11.2		(4)

	Solution/ <i>Oplossing</i>	Marks <i>Punte</i>
11.3		(5)
	11.4	
		[18]

TOTAL / TOTAAL 150

